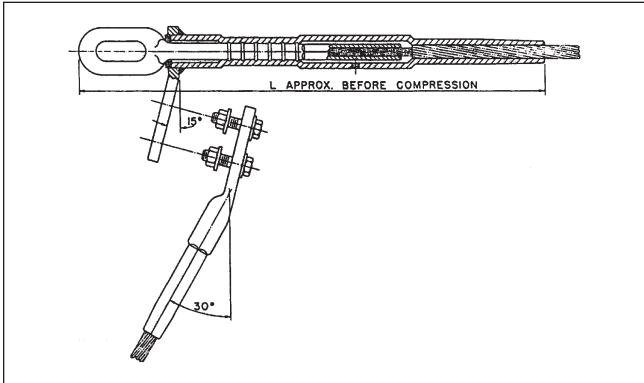


## HiTemp Compression Dead End for ACSS/TW Conductor, Eye Type, Single Tongue, 440000HT Series



The 440000HT Series Dead End Assembly is specifically designed for ACSS/TW conductor. The body of the HiTemp Dead Ends are fabricated from a specially tempered aluminum that will transfer elevated current and dissipate increased heat more efficiently. The tongue and terminal pad are constructed with a 15° angle, which permits the terminal connector to be bolted in the straight or 30° position.

All HiTemp Dead Ends are designed for full tension use, achieving a minimum of 95% of the ASTM rated strength of the conductor. Each dead end assembly comes with a terminal and aluminum hardware.

For die sizes 30AH and above, the end tapers of the compression portions of all compression accessories are supplied with a high voltage finish. Corona bolts are furnished as standard on 15° terminals for these die sizes.

The square edges of the bolted pads of the compression accessories could cause Corona. Pads with edges and corners rounded can be supplied by adding the catalog suffix "EHV".

### Ordering Instructions

#### Step 1: Assembly Catalog Number

Determine the assembly catalog number based on the conductor being used.

#### Step 2: Terminal Connector

For an assembly without a terminal connector, use "NT".

For an assembly with a terminal connector, leave blank.

#### Step 3: Extra High Voltage Finish

For Extra High Voltage Finish, use "EHV". ( $\geq 345$  kV)

For Standard Finish, leave blank. ( $< 345$  kV)

#### Step 4: Assemble Catalog Number

Assy Catalog Number + Terminal Connector + EHV Finish

#### Example:

For 954 Cardinal ACSS/TW Conductor with no terminal and EHV finish, the complete catalog number is:

**E441084HTNTEHV**

#### Notes:

1. Eye Dimensions are on page 339.
2. Pad Dimensions are on page 339.
3. HiTemp AFL Filler Compound (AFCHT) Requirements are on page 340.
4. Bolt Sizes and Torque Recommendations are on page 340.
5. Installation Instructions for Dead Ends are on page 345.
6. Installation Instructions for Terminals are on page 351.
7. For more information on die selection and ordering instructions, see the Tools and Equipment section of this catalog.

## HiTemp Compression Dead End for ACSS/TW Conductor, Eye Type, Single Tongue, 440000HT Series (cont.)

ACCESSORIES  
ACSS/TW

DEAD END ASSEMBLY CATALOG NUMBER	CONDUCTOR					COMPONENT CATALOG NUMBER			DIE SIZE		TOTAL WEIGHT		TOTAL LENGTH L		PAD SIZE
	CODE NAME	SIZE	TYPE	STRANDING	DIAMETER	DEAD END BODY	STEEL EYE	15° TERMINAL	ALUMINUM	STEEL	LBS	KG	IN	MM	
E440693HT	Oriole/ACSS/TW	336.4	23	18/7	0.693	8120.781CHT	9110.332	5120.781HT	20AH	10SH	5.9	2.7	27.3	694	D
E440776HT	Flicker/ACSS/TW	477.0	13	18/7	0.776	8124.938HT	9110.295	5124.938HT	24AH	10SH	7.0	3.5	26.6	678	D
E440789HT	Hawk/ACSS/TW	477.0	16	18/7	0.789	8124.938HT	9112.332	5124.938HT	24AH	12SH	7.1	3.5	26.6	678	D
E440825HT	Hen/ACSS/TW	477.0	23	18/7	0.825	8124.938CHT	9212.397	5124.938HT	24AH	12SH	7.6	3.7	26.8	681	D
E440835HT	Parakeet/ACSS/TW	556.5	13	18/7	0.835	8124.969HT	9210.316	5124.969HT	24AH	10SH	7.4	3.5	27.3	694	D
E440852HT	Dove/ACSS/TW	556.5	16	20/7	0.852	8124.969HT	9212.359	5124.969HT	24AH	12SH	7.7	3.6	27.3	694	D
E440858HT	Calumet/ACSS/TW	565.3	16	18/7	0.858	8124.969HT	9212.359	5124.969HT	24AH	12SH	7.7	3.5	27.3	694	D
E440846HT	Mohawk/ACSS/TW	571.7	13	18/7	0.846	8124.969HT	9212.332	5124.969HT	24AH	12SH	7.7	3.5	27.3	694	D
E440890HT	Rook/ACSS/TW	636.0	13	19/7	0.890	8127.106HT	9212.344	5127.106HT	27AH	12SH	9.0	4.2	28.8	732	D
E440908HT	Grosbeak/ACSS/TW	636.0	16	20/7	0.908	8127.106HT	9212.386	5127.106HT	27AH	12SH	9.0	4.2	28.8	732	D
E440953HT	Scoter/ACSS/TW	636.0	23	18/7	0.953	8127.106HT	9214.484	5127.106HT	27AH	14SH	9.0	4.2	28.8	732	D
E440927HT	Oswego/ACSS/TW	664.8	16	20/7	0.927	8127.106CHT	9312.391	5127.106HT	27AH	12SH	9.9	4.5	29.0	737	D
E440913HT	Mystic/ACSS/TW	666.6	13	20/7	0.913	8127.106CHT	9312.351	5127.106HT	27AH	12SH	9.9	4.5	29.0	737	D
E440990HT	Wabash/ACSS/TW	762.8	16	20/7	0.990	8130.116HT	9314.432	5130.116HT	30AH	14SH	11.8	5.4	29.8	759	D
E440977HT	Maumee/ACSS/TW	768.2	13	20/7	0.977	8130.116HT	9314.381	5130.116HT	30AH	14SH	11.8	5.4	29.8	759	D
E440960HT	Tern/ACSS/TW	795.0	7	17/7	0.960	8130.116HT	9310.290	5130.116HT	30AH	10SH	11.4	5.4	29.8	759	D
E440980HT	Puffin/ACSS/TW	795.0	10	18/7	0.980	8130.116HT	9312.351	5130.116HT	30AH	12SH	11.6	5.4	29.8	759	D
E440993HT	Condor/ACSS/TW	795.0	13	20/7	0.993	8130.116HT	9312.386	5130.116HT	30AH	12SH	11.6	5.5	29.8	759	D
E441010HT	Drake/ACSS/TW	795.0	16	20/7	1.010	8130.122HT	9314.432	5130.122HT	30AH	14SH	11.8	5.6	29.8	759	D
E441080HT	Canary/ACSS/TW	900.0	13	30/7	1.055	8130.122HT	9414.406	5130.122HT	30AH	14SH	12.0	5.7	30.5	775	D
E441077HT	Fraser/ACSS/TW	946.7	10	35/7	1.077	8130.122HT	9412.359	5130.122HT	30AH	12SH	11.7	5.3	30.5	775	D
E441044HT	Phoenix/ACSS/TW	954.0	5	30/7	1.044	8130.122HT	9412.277	5130.122HT	30AH	12SH	11.7	5.7	30.5	775	D
E441061HT	Rail/ACSS/TW	954.0	7	32/7	1.061	8130.122HT	9410.302	5130.122HT	30AH	10SH	11.6	5.5	30.5	775	D
E441084HT	Cardinal/ACSS/TW	954.0	13	20/7	1.084	8130.125HT	9414.422	5130.125HT	30AH	14SH	12.0	5.7	31.3	794	D
E441060HT	Kettle/ACSS/TW	957.2	7	32/7	1.060	8130.122HT	9412.316	5130.122HT	30AH	12SH	11.7	5.3	30.5	775	D
E441108HT	Suwannee/ACSS/TW	959.6	16	22/7	1.108	8130.122HT	9314.453	5130.122HT	30AH	14SH	11.6	5.3	30.5	775	D
E441092HT	Columbia/ACSS/TW	966.2	13	21/7	1.092	8130.122HT	9414.441	5130.122HT	30AH	14SH	12.0	5.5	30.5	775	D
E441089HT	Snowbird/ACSS/TW	1033.5	5	30/7	1.089	8134.128HT	9412.277	5134.128HT	34AH	12SH	15.2	7.0	31.5	800	D
E441102HT	Ortolan/ACSS/TW	1033.5	7	32/7	1.102	8134.128HT	9410.324	5134.128HT	34AH	10SH	15.1	6.9	31.5	800	D
E441128HT	Curlow/ACSS/TW	1033.5	13	22/7	1.128	8134.134CHT	E9614.441	5134.134HT	34AH	14SH	15.2	6.7	32.9	836	D
E441131HT	—	1080.0	7	20/7	1.131	8134.128HT	9412.332	5134.128HT	34AH	12SH	15.2	6.9	31.5	800	D
E441129HT	Avocet/ACSS/TW	1113.0	5	30/7	1.129	8134.128HT	9412.290	5134.134HT	34AH	12SH	15.2	6.9	31.5	800	D
E441143HT	Bluejay/ACSS/TW	1113.0	7	33/7	1.143	8134.134HT	E9512.332	5134.134HT	34AH	12SH	15.0	6.6	32.2	818	D
E441185HT	Finch/ACSS/TW	1113.0	13	38/19	1.185	8134.134CHT	E9614.453	5134.134HT	34AH	14SH	15.2	6.4	32.2	818	D
E441165HT	Genesee/ACSS/TW	1158.0	7	33/7	1.165	8134.134HT	9412.351	5134.134HT	34AH	12SH	14.5	6.6	32.2	818	D
E441196HT	Hudson/ACSS/TW	1158.4	13	26/7	1.196	8134.138CHT	E9614.484	5134.138HT	34AH	14SH	14.7	6.7	32.9	836	D
E441155HT	Cheyenne/ACSS/TW	1168.1	5	30/7	1.155	8134.134HT	9412.295	5134.134HT	34AH	12SH	14.5	6.6	31.5	800	D
E441167HT	Oxbird/ACSS/TW	1192.5	5	30/7	1.167	8134.138HT	E9512.302	5134.138HT	34AH	12SH	14.5	6.6	32.2	818	D
E441181HT	Bunting/ACSS/TW	1192.5	7	33/7	1.181	8134.138HT	E9512.344	5134.138HT	34AH	12SH	14.5	6.5	32.2	818	D
E441225HT	Grackle/ACSS/TW	1192.5	13	38/19	1.225	8136.144CHT	E9614.484	5136.144HT	36AH	14SH	16.3	6.5	32.3	821	D
E441245HT	Yukon/ACSS/TW	1233.6	13	38/19	1.245	8134.138CHT	E9614.500	5134.138HT	34AH	14SH	14.7	6.7	32.9	836	D
E441213HT	Nelson/ACSS/TW	1257.1	7	35/7	1.213	8134.138HT	E9512.351	5134.138HT	34AH	12SH	14.5	6.6	32.2	818	D

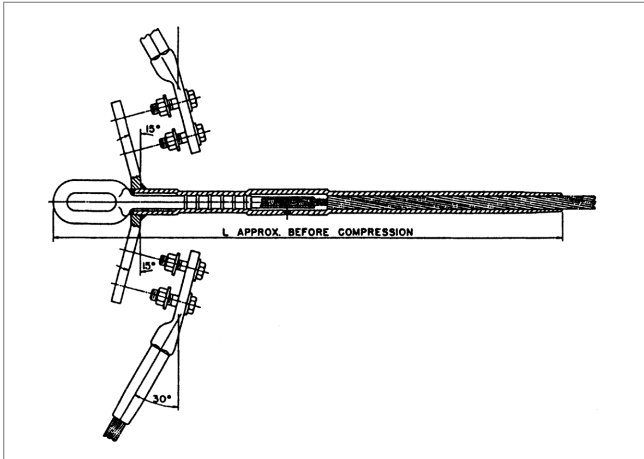
## HiTemp Compression Dead End for ACSS/TW Conductor, Eye Type, Single Tongue, 440000HT Series (cont.)

ACSS/TW ACCESSORIES

DEAD END ASSEMBLY CATALOG NUMBER	CONDUCTOR					COMPONENT CATALOG NUMBER			DIE SIZE		TOTAL WEIGHT		TOTAL LENGTH L		PAD SIZE
	CODE NAME	SIZE	TYPE	STRANDING	DIAMETER	DEAD END BODY	STEEL EYE	15° TERMINAL	ALUMINUM	STEEL	LBS	KG	IN	MM	
E441203HT	Scissortail/ACSS/TW	1272.0	5	30/7	1.202	8136.144HT	E9512.316	5136.144HT	36AH	12SH	16.1	6.7	32.3	821	D
E441203HT	Catawba/ACSS/TW	1272.0	5	30/7	1.203	8134.138HT	E9512.316	5134.138HT	34AH	12SH	14.5	6.6	32.2	818	D
E441220HT	Bittern/ACSS/TW	1272.0	7	35/7	1.220	8136.144HT	E9512.351	5136.144HT	36AH	12SH	16.1	7.3	32.3	821	D
E441264HT	Pheasant/ACSS/TW	1272.0	13	39/19	1.264	8136.147HT	E9616.500	5136.147HT	36AH	16SH	16.7	7.6	32.6	827	D
E441290HT	Thames/ACSS/TW	1334.6	13	39/19	1.290	8136.144CHT	E9614.516	5136.144HT	36AH	14SH	16.3	7.4	32.3	821	D
E441256HT	Dipper/ACSS/TW	1351.5	7	35/7	1.256	8136.147HT	E9612.377	5136.147HT	36AH	12SH	16.2	7.4	32.6	827	D
E441300HT	Martin/ACSS/TW	1351.5	13	39/19	1.300	8138.150HT	E9616.500	5138.150HT	38AH	16SH	18.9	8.6	32.8	833	D
E441259HT	Mackenzie/ACSS/TW	1359.7	7	36/7	1.259	8136.144HT	E9512.359	5136.144HT	36AH	12SH	16.1	7.3	32.3	821	D
E441248HT	Truckee/ACSS/TW	1372.5	5	30/7	1.248	8134.138HT	E9512.318	5134.138HT	34AH	12SH	14.5	6.6	32.2	818	D
E441291HT	Bobolink/ACSS/TW	1431.0	7	36/7	1.291	8138.150HT	E9612.381	5138.150HT	38AH	12SH	18.4	8.4	32.8	833	D
E441337HT	Plover/ACSS/TW	1431.0	13	37/19	1.337	8138.156HT	E9616.516	5138.156HT	38AH	16SH	18.6	8.9	32.8	833	D
E441340HT	Merrimack/ACSS/TW	1433.6	13	39/19	1.340	8138.156HT	E9616.521	5138.156HT	38AH	16SH	18.6	8.5	32.8	833	D
E441302HT	Miramichi/ACSS/TW	1455.3	7	36/7	1.302	8138.156HT	E9614.397	5138.156HT	38AH	14SH	18.2	8.3	32.8	833	D
E441292HT	St. Croix/ACSS/TW	1467.8	5	33/7	1.292	8138.156HT	E9612.332	5138.156HT	38AH	12SH	18.1	8.2	32.8	833	D
E441382HT	Rio Grande/ACSS/TW	1533.3	13	39/19	1.382	8138.156HT	E9616.546	5138.156HT	38AH	16SH	18.6	8.5	32.8	833	D
E441345HT	Potomac/ACSS/TW	1557.4	7	36/7	1.345	8138.156HT	E9614.406	5138.156HT	38AH	14SH	18.3	8.3	32.8	833	D
E441334HT	Platte/ACSS/TW	1569.0	5	33/7	1.334	8138.156HT	E9612.337	5138.156HT	38AH	12SH	18.1	8.2	32.8	833	D
E441358HT	Lapwing/ACSS/TW	1590.0	7	36/7	1.358	8140.162HT	E9612.397	5140.162HT	40AH	12SH	21.4	9.7	33.7	856	E
E441408HT	Falcon/ACSS/TW	1590.0	13	42/19	1.408	8140.162HT	E9718.546	5140.162HT	40AH	18SH	23.1	10.5	33.8	859	E
E441424HT	Pecos/ACSS/TW	1622.0	13	39/19	1.424	8140.162HT	E9718.578	5140.162HT	40AH	18SH	23.1	10.5	33.8	859	E
E441386HT	Schuykill/ACSS/TW	1657.4	7	36/7	1.386	8140.162HT	E9614.422	5140.162HT	40AH	14SH	21.6	9.8	33.7	856	E
E441470HT	James/ACSS/TW	1730.6	13	34/19	1.470	8142.168HT	E9718.578	5142.168HT	42AH	18SH	24.0	10.9	35.0	889	E
E441427HT	Pee Dee/ACSS/TW	1758.6	7	37/7	1.427	8140.162HT	E9714.432	5140.162HT	40AH	14SH	22.5	10.2	33.8	859	E
E441445HT	Chukar/ACSS/TW	1780.0	8	37/19	1.445	8142.178HT	E9714.453	5142.178HT	42AH	14SH	23.5	10.7	35.0	889	E
E441545HT	Cumberland/ACSS/TW	1926.9	13	42/19	1.545	8142.178HT	E9718.609	5142.178HT	42AH	18SH	24.1	11.0	35.0	889	E
E441504HT	Athabaska/ACSS/TW	1949.6	7	42/7	1.504	8142.178HT	E9714.453	5142.178HT	42AH	14SH	23.5	10.7	35.0	889	E
E441602HT	Powder/ACSS/TW	2153.8	8	64/19	1.602	8144.184HT	E9814.516	5144.184HT	44AH	14SH	25.6	11.6	32.8	835	E
E441608HT	Bluebird/ACSS/TW	2156.0	8	64/19	1.608	8144.184HT	E9816.516	5144.184HT	44AH	16SH	25.6	11.6	32.8	835	E
E441762HT	Santee/ACSS/TW	2627.3	8	64/19	1.762	8148.191HT	E9816.578	5148.191HT	48AH	16SH	29.4	13.4	37.3	948	E

## HiTemp Compression Dead End for ACSS/TW Conductor, Eye Type, Double Tongue, 48000HT Series

ACSS/TW ACCESSORIES



The 48000HT Series Double Tongue Dead End Assembly is specifically designed for ACSS/TW conductor. The body of the HiTemp Dead Ends are fabricated from a specially tempered aluminum that will transfer elevated current and dissipate increased heat more efficiently. The tongue and terminal pad are constructed with a 15° angle, which permits the terminal connector to be bolted in the straight or 30° position.

All HiTemp Dead Ends are designed for full tension use, achieving a minimum of 95% of the ASTM rated strength of the conductor. Each dead end assembly comes with two 15° terminals and aluminum hardware.

For die sizes 30AH and above, the end tapers of the compression portions of all compression accessories are supplied with a high voltage finish. Corona bolts are furnished as standard on 15° terminals for these die sizes.

The square edges of the bolted pads of the compression accessories could cause Corona. Pads with edges and corners rounded can be supplied by adding the catalog suffix "EHV".

### Ordering Instructions

#### Step 1: Assembly Catalog Number

Determine the assembly catalog number based on the conductor being used.

#### Step 2: Terminal Connector

For an assembly without a terminal connector, use "NT".

For an assembly with a terminal connector, leave blank.

#### Step 3: Extra High Voltage Finish

For Extra High Voltage Finish, use "EHV". ( $\geq 345$  kV)

For Standard Finish, leave blank. ( $< 345$  kV)

#### Step 4: Assemble Catalog Number

Assy Catalog Number + Terminal Connector + EHV Finish

#### Example:

For 954 Cardinal ACSS/TW Conductor with no terminal and EHV finish, the complete catalog number is:

**E481084HTNTEHV**

#### Notes:

1. Eye Dimensions are on page 339.
2. Pad Dimensions are on page 339.
3. HiTemp AFL Filler Compound (AFCHT) Requirements are on page 340.
4. Bolt Sizes and Torque Recommendations are on page 340.
5. Installation Instructions for Dead Ends are on page 345.
6. Installation Instructions for Terminals are on page 351.
7. For more information on die selection and ordering instructions, see the Tools and Equipment section of this catalog.

## HiTemp Compression Dead End for ACSS/TW Conductor, Eye Type, Double Tongue, 48000HT Series (cont.)

ACSS/TW ACCESSORIES

DEAD END ASSEMBLY CATALOG NUMBER	CONDUCTOR					COMPONENT CATALOG NUMBER			DIE SIZE		TOTAL WEIGHT		TOTAL LENGTH L		PAD SIZE
	CODE NAME	SIZE	TYPE	STRANDING	DIAMETER	DEAD END BODY	STEEL EYE	15° TERMINAL	ALUMINUM	STEEL	LBS	KG	IN	MM	
		KCMIL		AL/ST											
E480693HT	Oriole/ACSS/TW	336.4	23	18/7	0.693	8220.781HT	9110.332	5120.781HT	20AH	10SH	8.0	3.8	27.3	693	D
E480776HT	Flicker/ACSS/TW	477.0	13	18/7	0.776	8224.938HT	9110.295	5124.938HT	24AH	10SH	9.8	4.3	26.6	676	D
E480789HT	Hawk/ACSS/TW	477.0	16	18/7	0.789	8224.938CHT	9112.332	5124.938HT	24AH	12SH	9.9	4.5	26.6	676	D
E480825HT	Hen/ACSS/TW	477.0	23	18/7	0.825	8224.938HT	9212.397	5124.938HT	24AH	12SH	10.4	5.2	26.8	681	D
E480835HT	Parakeet/ACSS/TW	556.5	13	18/7	0.835	8224.969HT	9210.316	5124.969HT	24AH	10SH	10.2	4.8	27.3	693	D
E480852HT	Dove/ACSS/TW	556.5	16	20/7	0.852	8224.969HT	9212.359	5124.969HT	24AH	12SH	10.5	5.2	27.3	693	D
E480858HT	Calumet/ACSS/TW	565.3	16	18/7	0.858	8224.969HT	9212.359	5124.969HT	24AH	12SH	10.5	5.2	27.3	693	D
E480846HT	Mohawk/ACSS/TW	571.7	13	18/7	0.846	8224.969HT	9212.332	5124.969HT	24AH	12SH	10.5	5.2	27.3	693	D
E480890HT	Rook/ACSS/TW	636.0	13	19/7	0.890	8227.106HT	9212.344	5127.106HT	27AH	12SH	12.5	5.4	28.8	732	D
E480908HT	Grosbeak/ACSS/TW	636.0	16	20/7	0.908	8227.106HT	9212.386	5127.106HT	27AH	12SH	12.5	5.4	28.8	732	D
E480953HT	Scoter/ACSS/TW	636.0	23	18/7	0.953	8227.106HT	9214.484	5127.106HT	27AH	14SH	12.5	5.4	28.8	732	D
E480927HT	Oswego/ACSS/TW	664.8	16	20/7	0.927	8227.106CHT	9312.391	5127.106HT	27AH	12SH	13.3	6.6	29.0	737	D
E480913HT	Mystic/ACSS/TW	666.6	13	20/7	0.913	8227.106CHT	9312.351	5127.106HT	27AH	12SH	13.3	6.6	29.0	737	D
E480990HT	Wabash/ACSS/TW	762.8	16	20/7	0.990	8230.116HT	9314.432	5130.116HT	30AH	14SH	16.4	7.7	29.8	757	D
E480977HT	Maumee/ACSS/TW	768.2	13	20/7	0.977	8230.116HT	9314.381	5130.116HT	30AH	14SH	16.4	7.7	29.8	757	D
E480960HT	Tern/ACSS/TW	795.0	7	17/7	0.960	8230.116HT	9310.277	5130.116HT	30AH	10SH	16.0	7.1	29.8	757	D
E480980HT	Puffin/ACSS/TW	795.0	10	18/7	0.980	8230.116HT	9312.351	5130.116HT	30AH	12SH	16.0	7.3	29.8	757	D
E480993HT	Condor/ACSS/TW	795.0	13	20/7	0.993	8230.116HT	9312.386	5130.116HT	30AH	12SH	16.2	7.4	29.8	757	D
E481010HT	Drake/ACSS/TW	795.0	16	20/7	1.010	8230.122HT	9314.432	5130.122HT	30AH	14SH	16.4	7.7	29.8	757	D
E481080HT	Canary/ACSS/TW	900.0	13	30/7	1.055	8230.122HT	9414.406	5130.122HT	30AH	14SH	16.4	8.1	30.5	775	D
E481077HT	Fraser/ACSS/TW	946.7	10	35/7	1.077	8230.122HT	9412.359	5130.122HT	30AH	12SH	16.1	7.6	30.5	775	D
E481044HT	Phoenix/ACSS/TW	954.0	5	30/7	1.044	8230.122HT	9412.277	5130.122HT	30AH	12SH	16.1	7.8	30.5	775	D
E481061HT	Rail/ACSS/TW	954.0	7	32/7	1.061	8230.122HT	9410.302	5130.122HT	30AH	10SH	16.0	7.5	30.5	775	D
E481084HT	Cardinal/ACSS/TW	954.0	13	20/7	1.084	8230.125HT	9414.422	5130.125HT	30AH	14SH	16.3	8.1	31.2	792	D
E481060HT	Kettle/ACSS/TW	957.2	7	32/7	1.060	8230.122HT	9412.316	5130.122HT	30AH	12SH	16.1	7.6	30.5	775	D
E481108HT	Suwannee/ACSS/TW	959.6	16	22/7	1.108	8230.122HT	9314.453	5130.122HT	30AH	14SH	16.0	7.5	30.5	775	D
E481092HT	Columbia/ACSS/TW	966.2	13	21/7	1.092	8230.122HT	9414.441	5130.122HT	30AH	14SH	16.4	8.1	30.5	775	D
E481089HT	Snowbird/ACSS/TW	1033.5	5	30/7	1.089	8234.128HT	9412.277	5134.128HT	34AH	12SH	20.8	9.0	31.5	800	D
E481102HT	Ortolan/ACSS/TW	1033.5	7	32/7	1.102	8234.128HT	9410.324	5134.128HT	34AH	10SH	20.7	8.7	31.5	800	D
E481128HT	Curlew/ACSS/TW	1033.5	13	22/7	1.128	8234.134CHT	E9614.441	5134.134HT	34AH	14SH	20.7	9.6	32.9	836	D
E481131HT	—	1080.0	7	20/7	1.131	8234.128HT	9412.332	5134.128HT	34AH	12SH	20.8	8.9	31.5	800	D
E481129HT	Avocet/ACSS/TW	1113.0	5	30/7	1.129	8234.128HT	9412.290	5134.128HT	34AH	12SH	20.6	8.8	31.5	800	D
E481143HT	Bluejay/ACSS/TW	1113.0	7	33/7	1.143	8234.134HT	E9512.332	5134.134HT	34AH	12SH	20.5	9.3	31.5	815	D
E481185HT	Finch/ACSS/TW	1113.0	13	38/19	1.185	8234.134CHT	E9614.453	5134.134HT	34AH	14SH	20.7	9.5	32.1	815	D
E481165HT	Genesee/ACSS/TW	1158.0	7	33/7	1.165	8234.134HT	9412.351	5134.134HT	34AH	12SH	20.0	8.8	31.5	800	D
E481196HT	Hudson/ACSS/TW	1158.4	13	26/7	1.196	8234.138CHT	E9614.484	5134.138HT	34AH	14SH	20.0	9.6	32.9	836	D
E481155HT	Cheyenne/ACSS/TW	1168.1	5	30/7	1.155	8234.134HT	9412.295	5134.134HT	34AH	12SH	20.0	8.8	31.5	800	D
E481167HT	Oxbird/ACSS/TW	1192.5	5	30/7	1.167	8234.138HT	E9512.302	5134.138HT	34AH	12SH	19.8	9.3	32.1	815	D
E481181HT	Bunting/ACSS/TW	1192.5	7	33/7	1.181	8234.138HT	E9512.344	5134.138HT	34AH	12SH	19.8	9.3	32.1	815	D
E481225HT	Grackle/ACSS/TW	1192.5	13	38/19	1.225	8236.144CHT	E9614.484	5136.144HT	36AH	14SH	22.0	9.8	32.3	820	D
E481245HT	Yukon/ACSS/TW	1233.6	13	38/19	1.245	8234.138CHT	E9614.500	5134.138HT	34AH	14SH	20.0	9.6	32.9	836	D

## HiTemp Compression Dead End for ACSS/TW Conductor, Eye Type, Double Tongue, 480000HT Series (cont.)

ACCESSORIES  
ACSS/TW

DEAD END ASSEMBLY CATALOG NUMBER	CONDUCTOR					COMPONENT CATALOG NUMBER			DIE SIZE		TOTAL WEIGHT		TOTAL LENGTH L		PAD SIZE
	CODE NAME	SIZE	TYPE	STRANDING	DIAMETER	DEAD END BODY	STEEL EYE	15° TERMINAL	ALUMINUM	STEEL	LBS	KG	IN	MM	
		KCMIL		AL/ST	IN										
E481213HT	Nelson/ACSS/TW	1257.1	7	35/7	1.213	8234.138HT	E9512.351	5134.138HT	34AH	12SH	19.8	9.4	32.1	815	D
E481203HT	Scissortail/ACSS/TW	1272.0	5	30/7	1.202	8236.144HT	E9512.316	5136.144HT	36AH	10SH	21.8	9.8	32.1	815	D
E481203HT	Catawba/ACSS/TW	1272.0	5	30/7	1.203	8234.138HT	E9512.316	5134.138HT	34AH	12SH	19.8	9.4	32.1	815	D
E481220HT	Bittern/ACSS/TW	1272.0	7	35/7	1.220	8236.144HT	E9512.351	5136.144HT	36AH	12SH	21.8	9.8	32.3	820	D
E481264HT	Pheasant/ACSS/TW	1272.0	13	39/19	1.264	8236.147HT	E9616.500	5136.147HT	36AH	16SH	22.4	11.4	32.5	826	D
E481290HT	Thames/ACSS/TW	1334.6	13	39/19	1.290	8236.144CHT	E9614.516	5136.144HT	36AH	14SH	22.0	10.1	32.3	820	D
E481256HT	Dipper/ACSS/TW	1351.5	7	35/7	1.256	8236.147HT	E9612.377	5136.147HT	36AH	12SH	21.9	10.7	32.5	826	D
E481300HT	Martin/ACSS/TW	1351.5	13	39/19	1.300	8238.150HT	E9616.500	5138.15HT	38AH	16SH	25.7	12.2	32.8	833	D
E481259HT	Mackenzie/ACSS/TW	1359.7	7	36/7	1.259	8236.144HT	E9512.359	5136.144HT	36AH	12SH	21.8	9.8	32.3	820	D
E481248HT	Truckee/ACSS/TW	1372.5	5	30/7	1.248	8234.138HT	E9512.318	5134.138HT	34AH	12SH	19.8	9.4	32.1	815	D
E481291HT	Bobolink/ACSS/TW	1431.0	7	36/7	1.291	8238.150HT	E9612.381	5138.15HT	38AH	12SH	25.2	11.5	32.8	833	D
E481337HT	Plover/ACSS/TW	1431.0	13	37/19	1.337	8238.156HT	E9616.516	5138.156HT	38AH	16SH	25.4	12.9	32.8	833	D
E481340HT	Merrimack/ACSS/TW	1433.6	13	39/19	1.340	8238.156HT	E9616.521	5138.156HT	38AH	16SH	25.4	12.2	32.8	833	D
E481302HT	Miramichi/ACSS/TW	1455.3	7	36/7	1.302	8238.156HT	E9614.397	5138.156HT	38AH	14SH	25.1	11.8	32.8	833	D
E481292HT	St. Croix/ACSS/TW	1467.8	5	33/7	1.292	8238.156HT	E9612.332	5138.156HT	38AH	12SH	24.9	11.5	32.8	833	D
E481382HT	Rio Grande/ACSS/TW	1533.3	13	39/19	1.382	8238.156HT	E9616.546	5138.156HT	38AH	16SH	25.4	12.2	32.8	833	D
E481345HT	Potomac/ACSS/TW	1557.4	7	36/7	1.345	8238.156HT	E9614.406	5138.156HT	38AH	14SH	25.1	11.8	32.8	833	D
E481334HT	Platte/ACSS/TW	1569.0	5	33/7	1.334	8238.156HT	E9612.337	5138.156HT	38AH	12SH	24.9	11.5	32.8	833	D
E481358HT	Lapwing/ACSS/TW	1590.0	7	36/7	1.358	8240.162HT	E9612.397	5140.162HT	40AH	12SH	30.2	12.2	33.6	853	E
E481408HT	Falcon/ACSS/TW	1590.0	13	42/19	1.408	8240.162HT	E9718.546	5140.162HT	40AH	18SH	31.9	14.7	33.8	859	E
E481424HT	Pecos/ACSS/TW	1622.0	13	39/19	1.424	8240.162HT	E9718.578	5140.162HT	40AH	18SH	31.9	14.7	33.8	859	E
E481386HT	Schuykill/ACSS/TW	1657.4	7	36/7	1.386	8240.162HT	E9614.422	5140.162HT	40AH	14SH	30.4	12.5	33.6	853	E
E481470HT	James/ACSS/TW	1730.6	13	34/19	1.470	8242.168HT	E9718.578	5142.168HT	42AH	18SH	32.8	15.2	35.0	889	E
E481427HT	Pee Dee/ACSS/TW	1758.6	7	37/7	1.427	8240.162HT	E9714.432	5140.162HT	40AH	14SH	30.4	13.5	33.8	859	E
E481445HT	Chukar/ACSS/TW	1780.0	8	37/19	1.445	8242.178HT	E9714.453	5142.178HT	42AH	14SH	31.2	14.3	35.0	889	E
E481545HT	Cumberland/ACSS/TW	1926.9	13	42/19	1.545	8242.178HT	E9718.609	5142.178HT	42AH	18SH	31.8	15.2	35.0	889	E
E481504HT	Athabaska/ACSS/TW	1949.6	7	42/7	1.504	8242.178HT	E9714.453	5142.178HT	42AH	14SH	31.2	14.3	35.0	889	E
E481602HT	Powder/ACSS/TW	2153.8	8	64/19	1.602	8244.184HT	E9814.516	5144.184HT	44AH	14SH	35.1	17.6	32.8	833	E
E481608HT	Bluebird/ACSS/TW	2156.0	8	64/19	1.608	8244.184HT	E9816.516	5144.184HT	44AH	16SH	34.3	17.6	32.8	833	E
E481762HT	Santee/ACSS/TW	2627.3	8	64/19	1.762	8248.191HT	E9816.578	5148.191HT	48AH	16SH	38.3	18.4	37.3	947	E